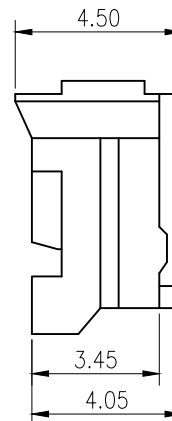
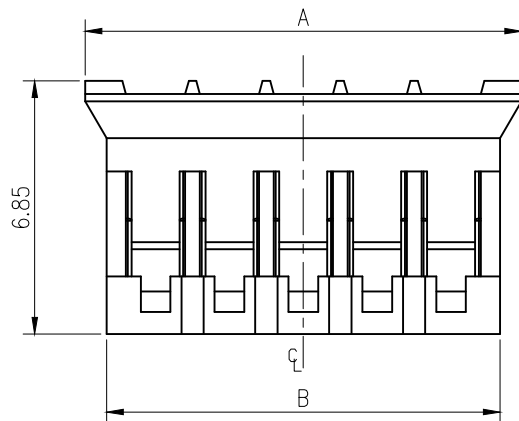
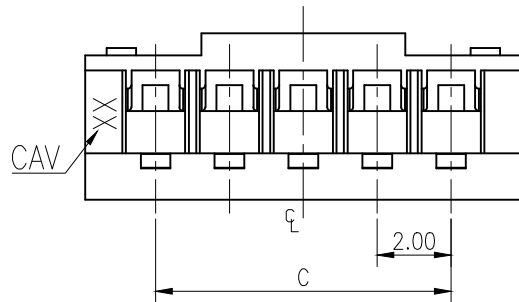
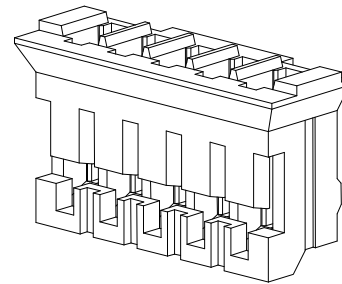




A B C D E F

NOTES:

1. MATERIAL IS NYLON66, UL 94 V-0, COLOR IS NATURE.
2. FREE RADIUS NOT TO EXCEED R0.1mm
3. THE CAVITY MAX HEIGHT 0.10mm ABOVE SURFACE.  
THE TEXT HEIGHT IS ABOUT 2mm.
4. OTHERWISE SPECIFIED PLS REFER TO STANDARD DOCUMENT NO.DC-016
5. SPEC PLS.REFER TO PS-50389-XXXHXXX-XXX
6. PART NUMBER



50389-XXX H X X X-XXX

CKTS ————

POLARIZATION ————

0:NONE

MATERIAL ————

H:NYLON 66(50000-0001-03) NATRUAL  
(50000-0101-03)BLACK

XXX	Packing	Notes
001	Bag	NA

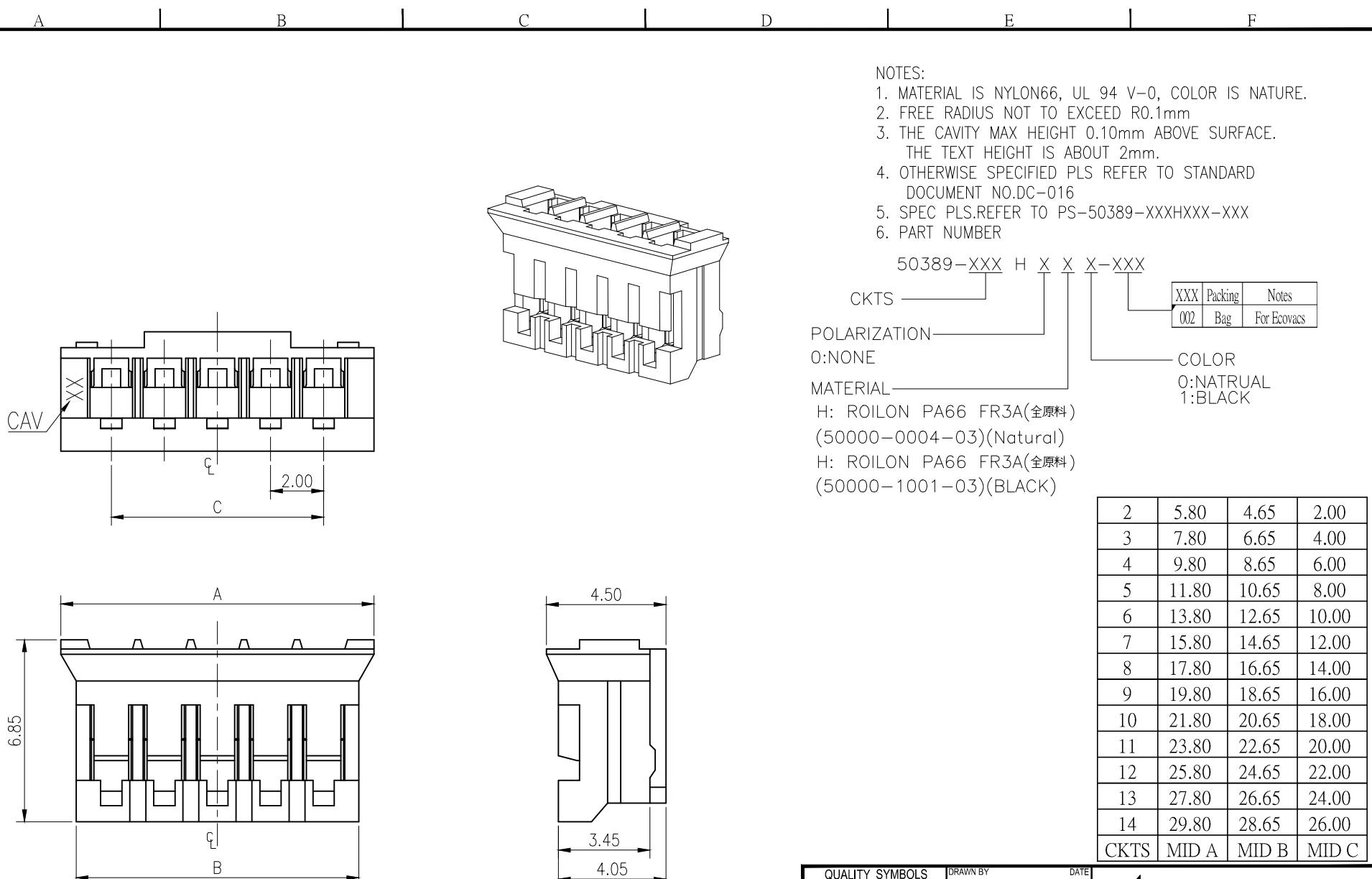
COLOR

0:NATRUAL  
1:BLACK

2	5.80	4.65	2.00
3	7.80	6.65	4.00
4	9.80	8.65	6.00
5	11.80	10.65	8.00
6	13.80	12.65	10.00
7	15.80	14.65	12.00
8	17.80	16.65	14.00
9	19.80	18.65	16.00
10	21.80	20.65	18.00
11	23.80	22.65	20.00
12	25.80	24.65	22.00
13	27.80	26.65	24.00
14	29.80	28.65	26.00
CKTS	MID A	MID B	MID C

<b>QUALITY SYMBOLS</b> MAJOR Ⓜ CRITICAL Ⓢ <b>GENERAL TOLERANCES</b> (UNLESS SPECIFIED) X. ±0.5 .X ±0.25 .XX ±0.15 .XXX ±0.1 ANGLES ±2°	DRAWN BY Shi,SongTao	DATE 22/07/06	
	CHECKED BY Xu,ZhiYong	DATE 22/07/06	
	APPROVED BY Xu,ZhiYong	DATE 22/07/06	SIZE A4
	UNITS mm		DWG NO. 50389-XXXHXXX-XXX
	SCALE 1:1	SHEET NO. 1 OF 4	REV H
			PART NO. SEE NOTES

B C D E F



NOTES:

1. MATERIAL IS NYLON66, UL 94 V-0, COLOR IS NATURE.
2. FREE RADIUS NOT TO EXCEED R0.1mm
3. THE CAVITY MAX HEIGHT 0.10mm ABOVE SURFACE.  
THE TEXT HEIGHT IS ABOUT 2mm.
4. OTHERWISE SPECIFIED PLS REFER TO STANDARD DOCUMENT NO.DC-016
5. SPEC PLS.REFER TO PS-50389-XXXHXXX-XXX
6. PART NUMBER

50389-XXX H X X X-XXX

CKTS

POLARIZATION

0:NONE

MATERIAL

H: ROILON PA66 FR3A(全原料)  
(50000-0004-03)(Natural)  
H: ROILON PA66 FR3A(全原料)  
(50000-1001-03)(BLACK)

XXX	Packing	Notes
002	Bag	For Ecovacs

COLOR  
0:NATRUAL  
1:BLACK

2	5.80	4.65	2.00
3	7.80	6.65	4.00
4	9.80	8.65	6.00
5	11.80	10.65	8.00
6	13.80	12.65	10.00
7	15.80	14.65	12.00
8	17.80	16.65	14.00
9	19.80	18.65	16.00
10	21.80	20.65	18.00
11	23.80	22.65	20.00
12	25.80	24.65	22.00
13	27.80	26.65	24.00
14	29.80	28.65	26.00
CKTS	MID A	MID B	MID C

<b>QUALITY SYMBOLS</b> MAJOR CRITICAL <b>GENERAL TOLERANCES</b> (UNLESS SPECIFIED) X. ±0.5 .X ±0.25 .XX ±0.15 .XXX ±0.1 ANGLES ±2°	DRAWN BY Shi,SongTao	DATE 22/07/06	
	CHECKED BY Xu,ZhiYong	DATE 22/07/06	
	UNITS mm		SIZE A4
	SCALE 1:1	SHEET NO. 2 OF 4	DWG NO. 50389-XXXHXXX-XXX
		REV H	PART NO. SEE NOTES



A B C D E F

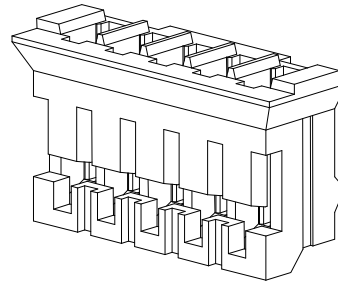
1

2

3

4

5



- NOTES:
1. MATERIAL IS NYLON66, UL 94 V-0, COLOR IS NATURE.
  2. FREE RADIUS NOT TO EXCEED R0.1mm
  3. THE CAVITY MAX HEIGHT 0.10mm ABOVE SURFACE. THE TEXT HEIGHT IS ABOUT 2mm.
  4. OTHERWISE SPECIFIED PLS REFER TO STANDARD DOCUMENT NO.DC-016
  5. SPEC PLS.REFER TO PS-50389-XXXHXXX-XXX
  6. PART NUMBER

50389-XXX H X X X-XXX

CKTS

POLARIZATION

0:NONE

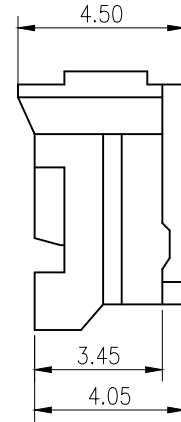
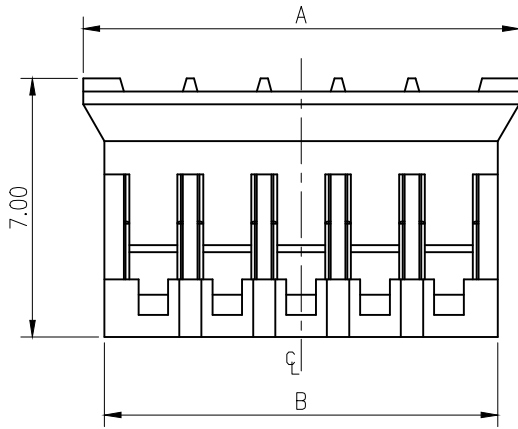
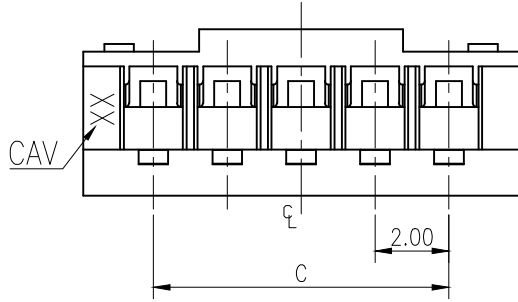
MATERIAL

H:NYLON 66(50000-0001-03) NATRUAL  
(50000-0101-03) BLACK

XXX	Packing	Notes
003	Bag	NA

COLOR

0:NATRUAL  
1:BLACK



CKTS	MID A	MID B	MID C
4	9.80	8.65	6.00

<b>QUALITY SYMBOLS</b> MAJOR CRITICAL <b>GENERAL TOLERANCES (UNLESS SPECIFIED)</b> X. ±0.5 .X ±0.25 .XX ±0.15 .XXX ±0.1 ANGLES ±2°	DRAWN BY Shi,SongTao	DATE 22/07/06	
	CHECKED BY Xu,ZhiYong	DATE 22/07/06	
	APPROVED BY Xu,ZhiYong	DATE 22/07/06	SIZE A4
	UNITS mm		DWG NO. 50389-XXXHXXX-XXX
	SCALE 1:1	SHEET NO. 3 OF 4	REV H
			PART NO. SEE NOTES

B C D E F



A | B | C | D | E | F

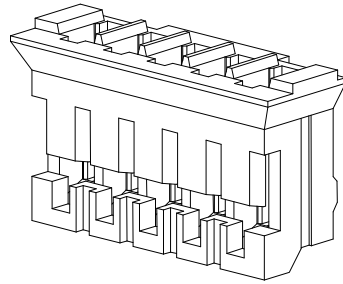
1

2

3

4

5

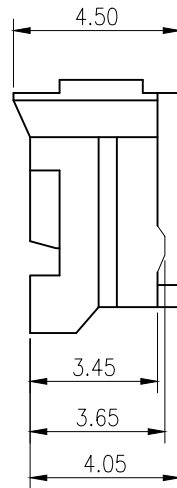
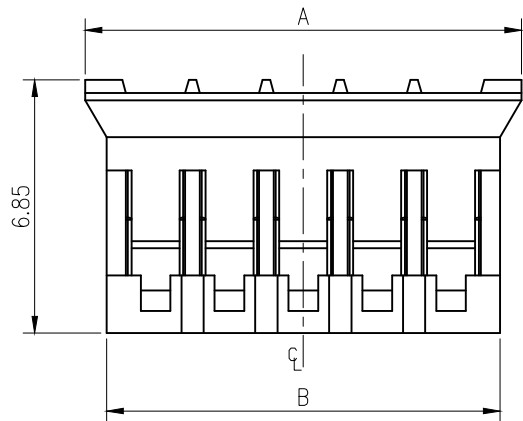
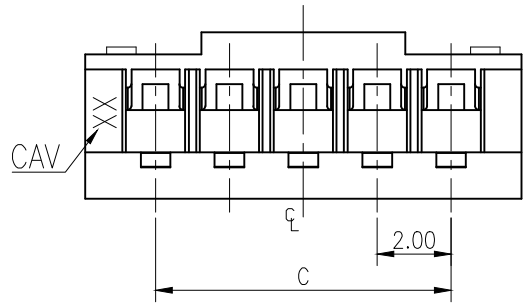


NOTES:

1. MATERIAL IS NYLON66, UL 94 V-0, COLOR IS NATURE.
2. FREE RADIUS NOT TO EXCEED R0.1mm
3. THE CAVITY MAX HEIGHT 0.10mm ABOVE SURFACE.  
THE TEXT HEIGHT IS ABOUT 2mm.
4. OTHERWISE SPECIFIED PLS REFER TO STANDARD DOCUMENT NO.DC-016
5. SPEC PLS.REFER TO PS-50389-XXXHXXX-XXX
6. PART NUMBER

50389-XXX H X X X-XXX

CKTS	XXX	Packing	Notes
POLARIZATION	004	Bag	LOCK加膠
MATERIAL	COLOR		
H:NYLON 66(50000-0001-03) NATRUAL	0:NATRUAL		
(50000-0101-03)BLACK	1:BLACK		



CKTS	MID A	MID B	MID C
2	5.80	4.65	2.00

<b>QUALITY SYMBOLS</b> MAJOR Ⓜ CRITICAL Ⓢ <b>GENERAL TOLERANCES</b> (UNLESS SPECIFIED) X. ±0.5 .X ±0.25 .XX ±0.15 .XXX ±0.1 ANGLES ±2°	DRAWN BY Shi,SongTao	DATE 22/07/06	
	CHECKED BY Xu,ZhiYong	DATE 22/07/06	
	UNITS mm		SIZE A4
	SCALE 1:1	SHEET NO. 4 OF 4	DWG NO. 50389-XXXHXXX-XXX
		REV H	PART NO. SEE NOTES